

2026年香港9號球公開賽 Hong Kong 9-Ball Open Championship 2026

【少青組 Youth Event】

比賽場地 Venue : 新旺桌球會 Sun Mong Club

地址 : 九龍紅磡馬頭圍道37號紅磡商業中心B座3樓 電話 : 2882 3312

Address : 3/F, Tower B, Hung Hom Commercial Centre, Ma Tau Wai Road, Hung Hom, Kowloon Tel. : 2882 3312

9th - 12th

13th - 16th

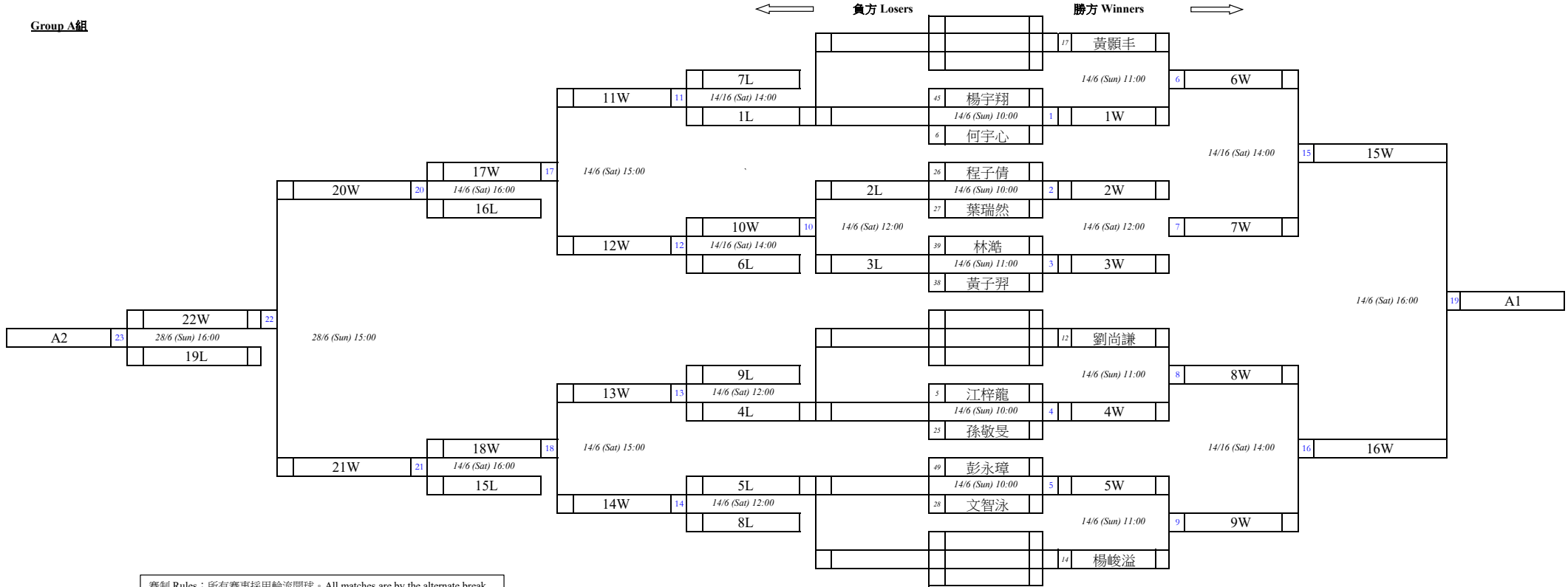
17th - 24th

25th - 32nd

33rd - 48th

49th - 64th

Group A組



- 註Remarks :**
- (1) 參賽球員分A-D (四組) , 採用雙淘汰制 - 搶5; 每組勝方及負方的得勝者進入八強賽事。 Players are divided into 4 groups, using Double elimination format - Stage 1 : Race to 5; group winner of Winners and Losers bracket enter Quarter-Finals.
 - (2) 參賽者遲於開賽時間到達比賽場地報到則負一局, 遲於10分鐘則負兩局, 遲於15分鐘均作棄權論, 報名費概不發還。
Any player who is late for reporting for less than 10 minutes will lose 1 rack, more than 10 minutes but less than 15 minutes late will lose 2 racks and more than 15 minutes late will lose the Match and entry fee will be forfeited.
 - (3) 參賽者必須穿著整齊服裝 (圓領或有領T-恤、長褲、皮鞋或運動鞋), 八強至決賽參賽者必須穿著整齊服裝 (純色有領T-恤、長西褲及皮鞋), 否則不准出賽。
 Players must wear properly (T-shirt or polo shirt, trousers and leather shoes/sport shoes); Players entering Quarter-Finals to Finals must dress properly (pure color polo shirt, black trousers and leather shoes).
- 如有任何查詢, 請致電中國香港桌球總會 (賽事總監成國棟先生 電話: 9654 4392 總裁判陳榮志先生 電話: 9435 1069) Enquiry: HKBSCC (Mr. Paul Shing - Tournament Director : 99654 4392 Mr. Chan Wing Chung - Chief Referee : 9435 106).

網頁Web-site : <http://www.hkbilliardsports.org.hk/>

有關比賽規則及詳情, 請參閱【參加者須知】。
 All about the regulations and details of this Championship, please refer to "Notice to Participants".

網頁Web-site :
<https://www.hkbilliardsports.org.hk/wp-content/uploads/2026/06/2026-9-ball-Notice-to->

2026年香港9號球公開賽 Hong Kong 9-Ball Open Championship 2026

【少青組 Youth Event】

比賽場地 Venue：新旺桌球會 Sun Mong Club

地址：九龍紅磡馬頭圍道37號紅磡商業中心B座3樓 電話：2882 3312

Address：3/F, Tower B, Hung Hom Commercial Centre, Ma Tau Wai Road, Hung Hom, Kowloon

Tel.：2882 3312

9th - 12th

13th - 16th

17th - 24th

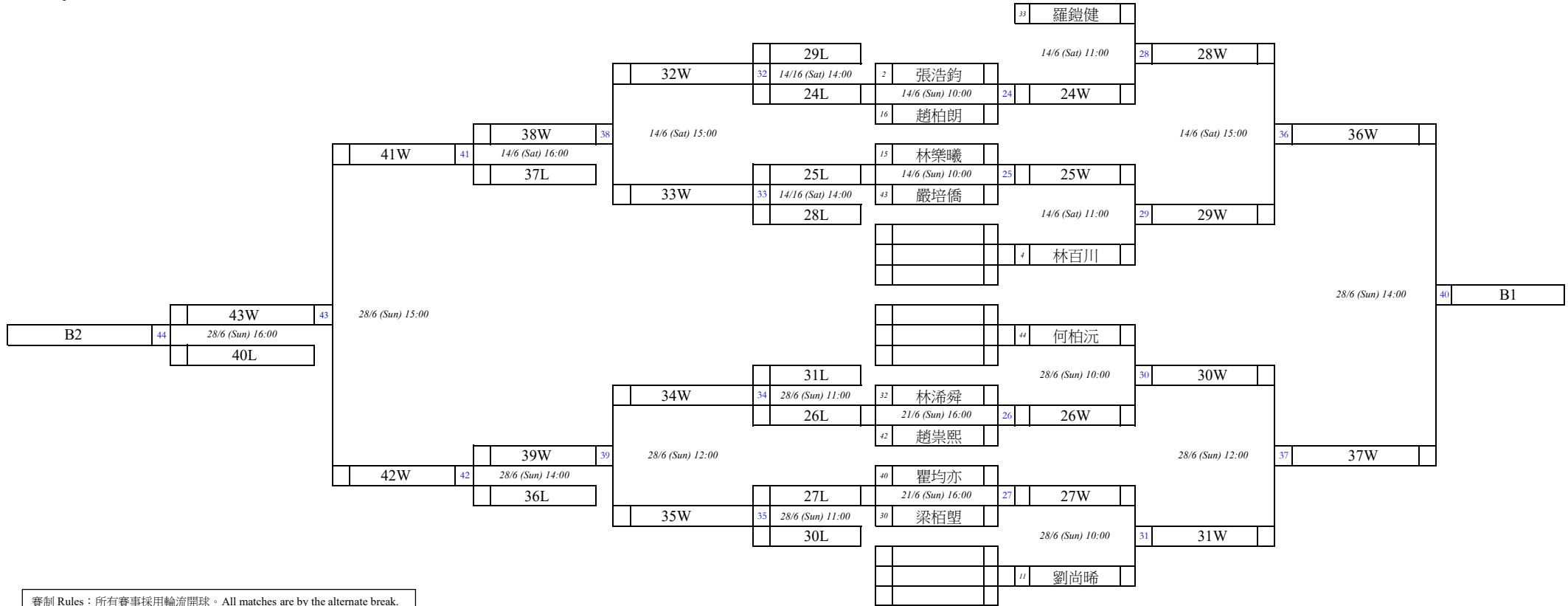
25th - 32nd

33rd - 48th

負方 Losers

勝方 Winners

Group B組



賽制 Rules：所有賽事採用輪流開球。All matches are by the alternate break.

註Remarks：

(1) 參賽球員分A-D (四組)，採用雙淘汰制 - 搶5：每組勝方及負方的得勝者進入八強賽事。Players are divided into 4 groups, using Double elimination format - Stage 1 : Race to 5; group winner of Winners and Losers bracket enter Quarter-Finals.

(2) 參賽者遲於開賽時間到達比賽場地報到則負一局，遲於10分鐘則負兩局，遲於15分鐘均作棄權論，報名費概不發還。

Any player who is late for reporting for less than 10 minutes will lose 1 rack, more than 10 minutes but less than 15 minutes late will lose 2 racks and more than 15 minutes late will lose the Match and entry fee will be forfeited.

(3) 參賽者必須穿著整齊服裝 (圓領或有領T-恤、長褲、皮鞋或運動鞋)，八強至決賽參賽者必須穿著整齊服裝 (純色有領T-恤、長西褲及皮鞋)，否則不准出賽。

Players must wear properly (T-shirt or polo shirt, trousers and leather shoes/sport shoes); Players entering Quarter-Finals to Finals must dress properly (pure color polo shirt, black trousers and leather shoes).

如有任何查詢，請致電中國香港桌球總會 (賽事總監成國棟先生 電話：9654 4392 總裁判陳榮忠先生 電話：9435 1069) Enquiry: HKBSCC (Mr. Paul Shing - Tournament Director : 99654 4392 Mr. Chan Wing Chung - Chief Referee : 9435 106).

網頁Web-site：<http://www.hkbilliardsports.org.hk/>

有關比賽規則及詳情，請參閱〔參加者須知〕。
All about the the regulations and details of this
Championship, please refer to "Notice to Participants".

網頁Web-site：
<https://www.hkbilliardsports.org.hk/wp-content/uploads/2026/06/2026-9-ball-Notice-to-Participants.pdf>

2026年香港9號球公開賽 Hong Kong 9-Ball Open Championship 2026

【少青組 Youth Event】

比賽場地 Venue：新旺桌球會 Sun Mong Club

地址：九龍紅磡馬頭圍道37號紅磡商業中心B座3樓 電話：2882 3312

Address：3/F, Tower B, Hung Hom Commercial Centre, Ma Tau Wai Road, Hung Hom, Kowloon Tel.：2882 3312

9th - 12th

13th - 16th

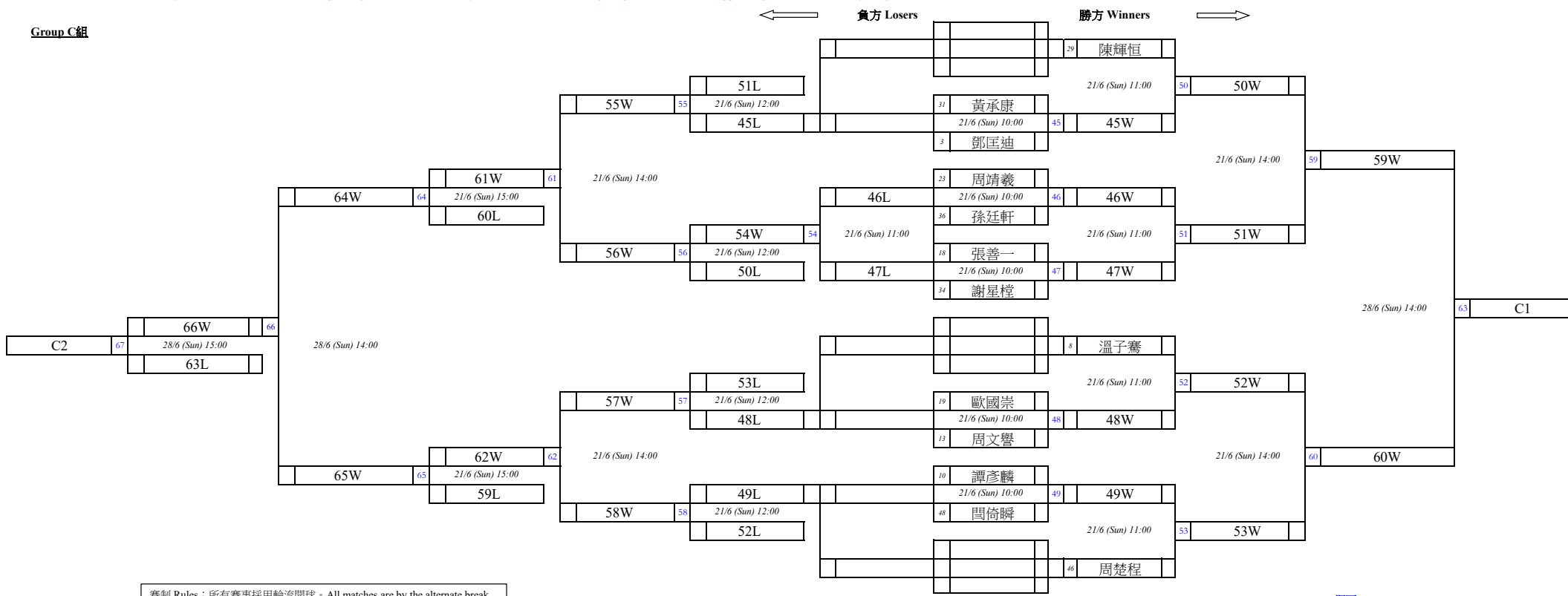
17th - 24th

25th - 32nd

33rd - 48th

49th - 64th

Group C組



賽制 Rules：所有賽事採用輪流開球。All matches are by the alternate break.

- 註Remarks：**
- (1) 參賽球員分A-D (四組)，採用雙淘汰制 - 搶5；每組勝方及負方的得勝者進入八強賽事。Players are divided into 4 groups, using Double elimination format - Stage 1 : Race to 5; group winner of Winners and Losers bracket enter Quarter-Finals.
 - (2) 參賽者遲於開賽時間到達比賽場地報到則負一局，遲於10分鐘則負兩局，遲於15分鐘均作棄權論，報名費概不發還。
Any player who is late for reporting for less than 10 minutes will lose 1 rack, more than 10 minutes but less than 15 minutes late will lose 2 racks and more than 15 minutes late will lose the Match and entry fee will be forfeited.
 - (3) 參賽者必須穿著整齊服裝 (圓領或有領T-恤、長褲、皮鞋或運動鞋)，八強至決賽參賽者必須穿著整齊服裝 (純色有領T-恤、長西褲及皮鞋)，否則不准出賽。
Players must wear properly (T-shirt or polo shirt, trousers and leather shoes/sport shoes); Players entering Quarter-Finals to Finals must dress properly (pure color polo shirt, black trousers and leather shoes).
- 如有任何查詢，請致電中國香港桌球總會 (賽事總監成國棟先生 電話：9654 4392 總裁判陳榮忠先生 電話：9435 1069) Enquiry：HKBSCC (Mr. Paul Shing - Tournament Director : 99654 4392 Mr. Chan Wing Chung - Chief Referee : 9435 106).

網頁Web-site：<http://www.hkbilliardsports.org.hk/>

有關比賽規則及詳情，請參閱【參加者須知】。
All about the the regulations and details of this Championship, please refer to "Notice to Participants".
網頁Web-site：
<https://www.hkbilliardsports.org.hk/wp-content/uploads/2026/06/2026-9-ball-Notice-to->

2026年香港9號球公開賽 Hong Kong 9-Ball Open Championship 2026

【少青組 Youth Event】

比賽場地 Venue：新旺桌球會 Sun Mong Club

地址：九龍紅磡馬頭圍道37號紅磡商業中心B座3樓 電話：2882 3312

Address：3/F, Tower B, Hung Hom Commercial Centre, Ma Tau Wai Road, Hung Hom, Kowloon

Tel.：2882 3312

9th - 12th

13th - 16th

17th - 24th

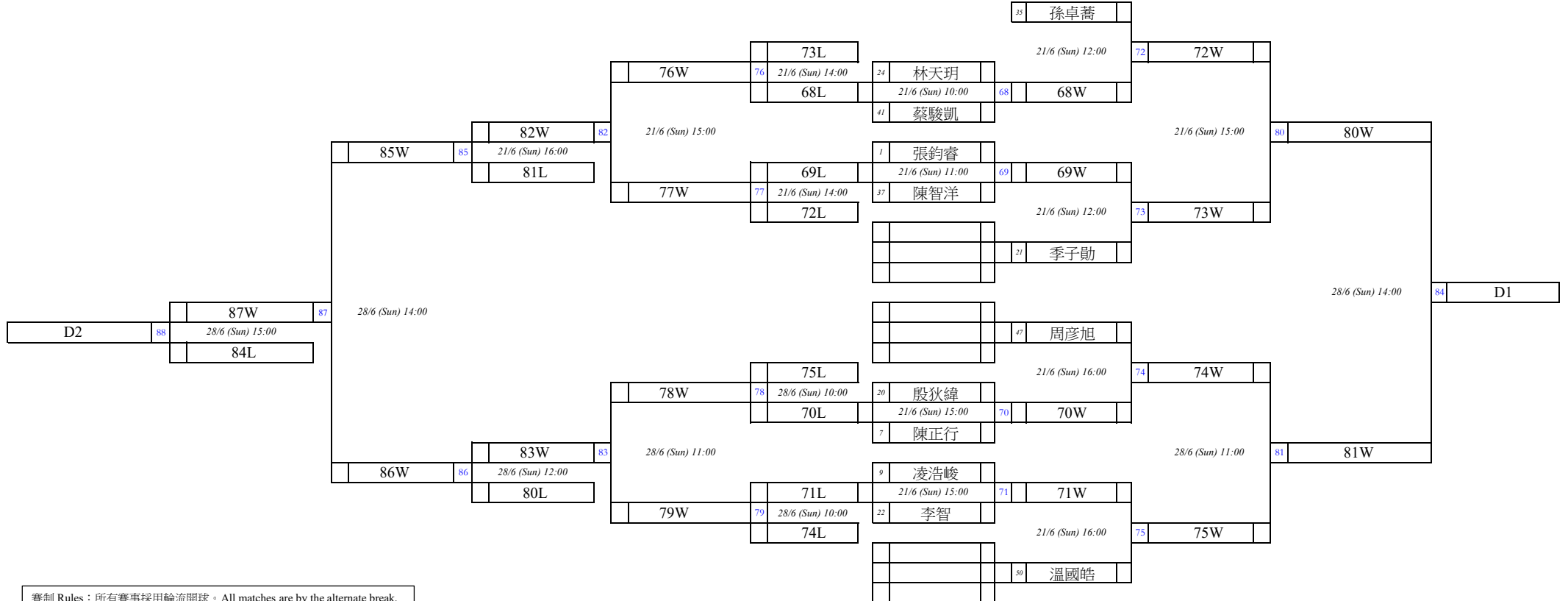
25th - 32nd

33rd - 48th

負方 Losers

勝方 Winners

Group D組



賽制 Rules：所有賽事採用輪流開球。All matches are by the alternate break.

註Remarks：

(1) 參賽球員分A-D (四組)，採用雙淘汰制 - 搶5：每組勝方及負方的得勝者進入八強賽事。Players are divided into 4 groups, using Double elimination format - Stage 1 : Race to 5; group winner of Winners and Losers bracket enter Quarter-Finals.

(2) 參賽者遲於開賽時間到達比賽場地報到則負一局，遲於10分鐘則負兩局，遲於15分鐘均作棄權論，報名費概不發還。

Any player who is late for reporting for less than 10 minutes will lose 1 rack, more than 10 minutes but less than 15 minutes late will lose 2 racks and more than 15 minutes late will lose the Match and entry fee will be forfeited.

(3) 參賽者必須穿著整齊服裝 (圓領或有領T-恤、長褲、皮鞋或運動鞋)，八強至決賽參賽者必須穿著整齊服裝 (純色有領T-恤、長西褲及皮鞋)，否則不准出賽。

Players must wear properly (T-shirt or polo shirt, trousers and leather shoes/sport shoes); Players entering Quarter-Finals to Finals must dress properly (pure color polo shirt, black trousers and leather shoes).

如有任何查詢，請致電中國香港桌球總會 (賽事總監成國棟先生 電話：9654 4392 總裁判陳榮忠先生 電話：9435 1069) Enquiry: HKBSCC (Mr. Paul Shing - Tournament Director : 99654 4392 Mr. Chan Wing Chung - Chief Referee : 9435 106).

網頁Web-site：<http://www.hkbilliardsports.org.hk/>

有關比賽規則及詳情，請參閱 (參加者須知)。All about the the regulations and details of this Championship, please refer to "Notice to Participants".

網頁Web-site：
<https://www.hkbilliardsports.org.hk/wp-content/uploads/2026/06/2026-9-ball-Notice-to-Participants.pdf>

2026香港美式9號球公開賽 Hong Kong 9-Ball Pool Open Championship 2026

【少青組 Youth Event】

比賽場地 Venue：新旺桌球會 Sun Mong Club

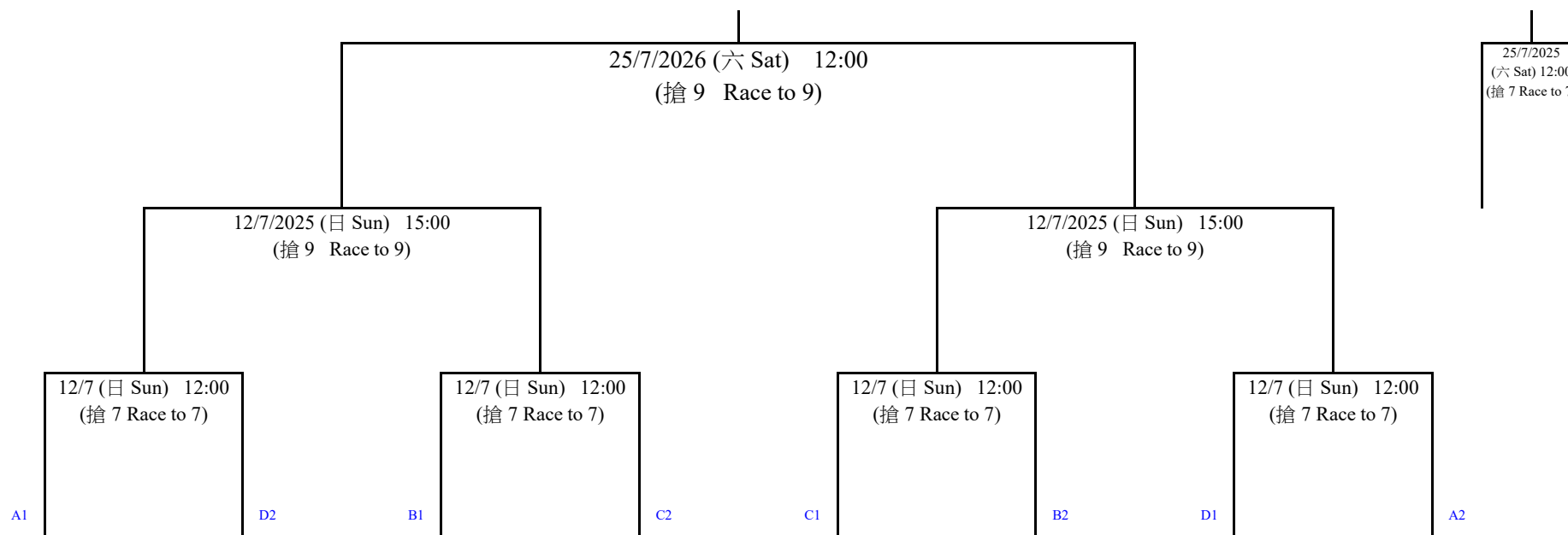
地址：九龍紅磡馬頭圍道37號紅磡商業中心B座3樓 電話：2882 3312

Address : 3/F, Tower B, Hung Hom Commercial Centre, 37 Ma Tau Wai Road, Hung Hom, Kowloon

Tel. : 2882 3312

冠軍賽 Final

季軍賽



賽制 Rules：所有賽事採用輪流開球。All matches are by the alternate break.

網頁Web-site：<http://www.hkbilliardsports.org.hk/>

註 Remarks：

(1) 賽事採用單淘汰制，八強及季軍賽 - 搶7；四強至決賽 - 搶9。 Single Elimination Format：Quarter-Finals and 2nd Runner-up Match - Race to 7; Semi-Finals to Finals - Race to 9.

(2) 參賽者遲於開賽時間到達比賽場館報到則負一局，遲於10分鐘則負兩局，遲於15分鐘均作棄權論，報名費概不發還。

Any player who is late for reporting for less than 10 minutes will lose 1 rack, more than 10 minutes but less than 15 minutes late will lose 2 racks and more than 15 minutes late will lose the Match and entry fee will be forfeited.

(3) 八強至決賽參賽者必須穿著整齊服裝（純色有領T-恤、長西褲及皮鞋），否則不准出賽。

Players entering Quarter Finals to Final must dress properly (pure color polo shirt, trousers and leather shoes).

如有任何查詢，請致電中國香港桌球總會有限公司（賽事總監成國棟先生 電話：9654 4392 總裁判陳榮忠先生 電話：9435 1069）

Enquiry：HKBSCC (Mr. Paul Shing - Tournament Director：9654 4392

Mr. Chan Wing Chung - Chief Referee：9435 1069).

有關比賽規則及詳情，請參閱〔參加者須知〕。
All about the the regulations and details of this Championship,
please refer to "Notice to Participants".

網頁Web-site：

<https://www.hkbilliardsports.org.hk/wp-content/uploads/2026/06/2026-9-ball-Notice-to-Participants.pdf>